

Ethernet Wifi, TCP/IP and Modbus/TCP



100 mm high digits. Industrial environment
Readable from up to 50m
1 o 2 displaying sides.

Application field

Displaying data generated in a PC by SCADA software. Displaying data in places of difficult access (Cranes, mobile machinery),

Colour option

Available for models DN-109 and DN-119. It lets you to choose the display colour depending on the input value. The valid colours are: Red, green and yellow.



Option to display the measures units

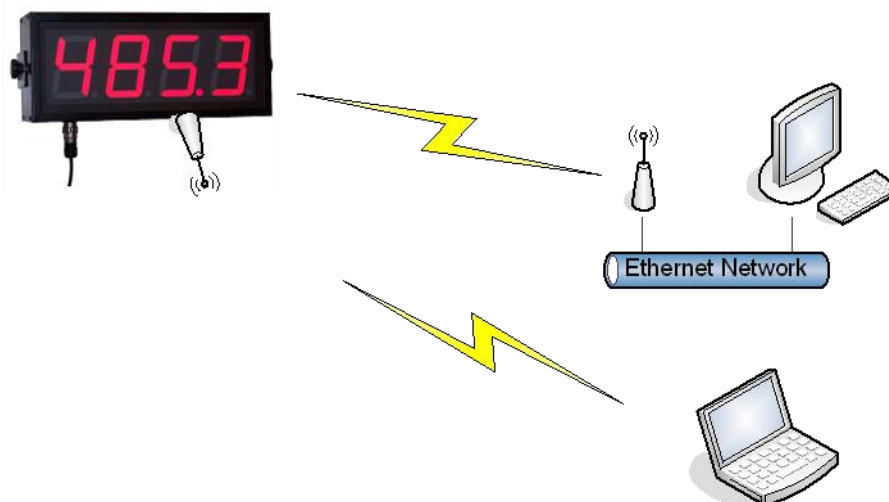
Several measure units can be permanently displayed: Kg, Tm, °C, mV, m/s, l/s, or any other unit, as the consumer desires, up to three characters.

DISPLAY CONFIGURATION

The displays includes two push buttons to configure the display protocol, transmission specifications and to read the MAC code.

General specifications

Numeric display Height	100mm
Unity of mesures text Height (optional)	60mm
Visibility	50 meters
Valid characters	0 a 9, A,b,C,c,d,E,F,H,h,i,J,L,n,o,P,r,U,u [espace],=, [point],uppers., unders.
Maximum environmental illumination	1000 lux
Maximum environmental lighting. Models (eh	Outdoor
Colour. Red/Green/Yellow	Applicable
Supply voltage	100VAC to 240VAC 50/60Hz. Option 24VCC
Display sides	One or two
Housing	Rugged aluminum extrusion
Mounting	Wall or suspension
Protocols	TCP/IP, Modbus/TCP
Network standards	IEEE802.11b i IEEE802.11g
Frequency range	2.412 - 2.484 GHz
Range	Up to 100m indoors
Security	WEP 64/128, WPA-PSK, TKIP, AES end-to-end encryption
Maximum receiver level	-10dBm (with PER < 8%)

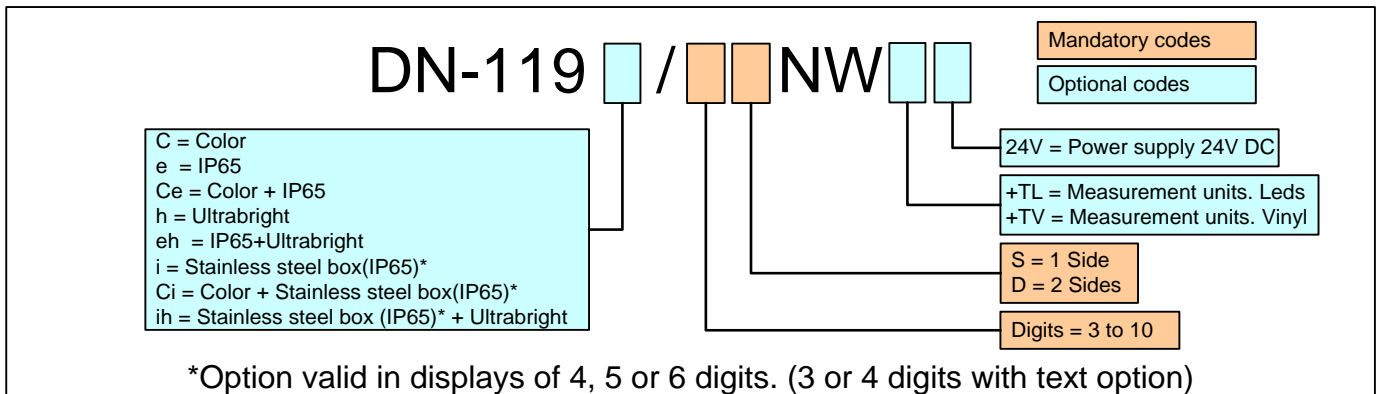


Dimensions

Digits	3	4	5	6	7	8	9	10
--------	---	---	---	---	---	---	---	----

DN-119	Height = 175mm		Depth = 120mm					
Width in mm	324	414	504	594	684	774	864	954
Width + Option text in mm	504	594	684	774	864	954	1044	1134

Reference composition



EXAMPLES:

DN119/4DNW

4 digits, DN-119 series display, two sides.

DN119/5SNW+TL rpm

5 digits, DN-119 series display, one side.
Text option: rpm.

DN119Ce/6SNW

6 Digits, DN-119 series, one side.
Red/green/yellow colour display digits. Protection degree IP65.